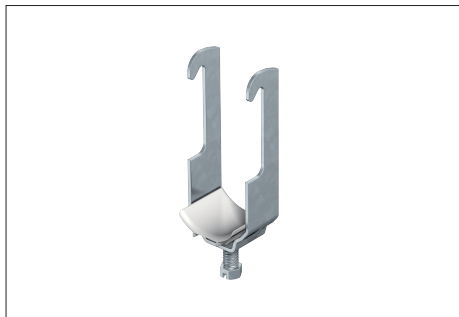
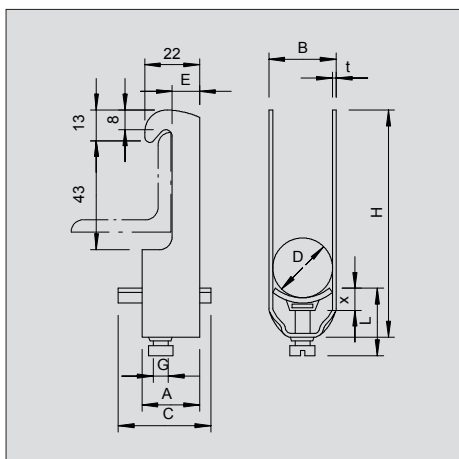


Clamp clip, single, plastic pressure trough



Suitable for angular steel of 40 mm limb length.
Clamp and bolt made of hot-dip galvanised steel.
Polypropylene pressure sleeve, halogen-free, colour light grey RAL 7035.



Type	Clamping range D mm	Pack. pcs	Weight kg/100 pcs.	Item No.
2056W 12 FT	8-12	100	4,450	1180 12 6
2056W 16 FT	12-16	100	4,890	1180 16 9
2056W 22 FT	16-22	100	5,700	1180 22 3
2056W 28 FT	22-28	100	7,800	1180 28 2
2056W 34 FT	28-34	100	9,400	1180 34 7
2056W 40 FT	34-40	100	10,000	1180 40 1
2056W 46 FT	40-46	100	12,800	1180 46 0
2056W 52 FT	46-52	100	13,600	1180 52 5
2056W 58 FT	52-58	50	17,100	1180 58 4
2056W 64 FT	58-64	50	18,600	1180 64 9
2056W 70 FT	64-70	50	18,500	1180 68 1
2056W 76 FT	70-76	25	20,600	1180 76 2
2056W 82 FT	76-82	25	22,000	1180 82 7
2056W 90 FT	82-90	25	26,200	1180 90 8

St Steel **FT** Hot-dip galvanised



Important dimensions, clamp clip

EN	A	B	C	G	t	x	H	L
mm	mm	mm	mm	mm	mm	mm	mm	mm
8-12	23	16	34	M6	1,5	5	74	27
12-16	23	20	34	M6	1,5	5	78	27
16-22	23	27	34	M6	1,5	5	85	27
22-28	23	33	34	M6	2	5	91	27
28-34	23	39	34	M8	2	5,5	99	31,5
34-40	23	45	34	M8	2	5,5	105	31,5
40-46	25	51	40	M8	2,5	6,5	149	38,5
46-52	25	57	40	M8	2,5	6,5	158	38,5
52-58	25	64	40	M8	2,5	6,5	123	32,5
58-64	25	70	40	M8	2,5	6,5	130	32,5
64-70	25	76	40	M8	2,5	6,5	136	32,5
70-76	25	82	40	M8	2,5	6,5	143	38,5